

TruVoice
HD-500
&
HD-550

Quick Start Guide
www.truvoicetelecom.com

What's in the box:

	HD-500	HD-550
TruVoice Headset	✓	✓
Headset Bag	✓	✓
Clothing Clip	✓	✓
Leatherette cushion(s)	✓	✓ x2

TruVoice Headset



Headset Bag

Leatherette ear cushion(s)



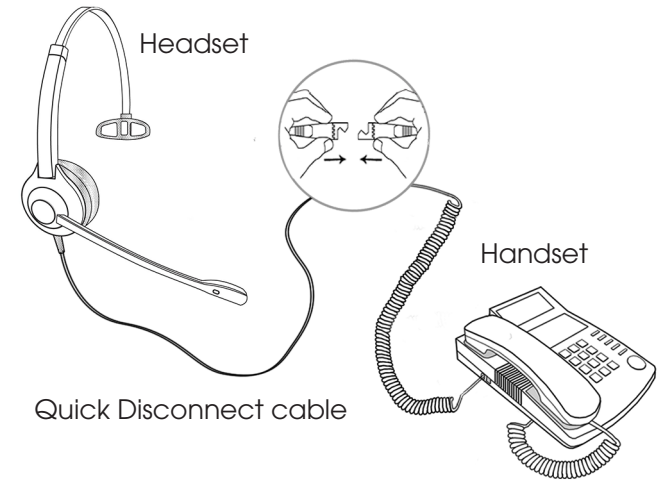
Headset Hook



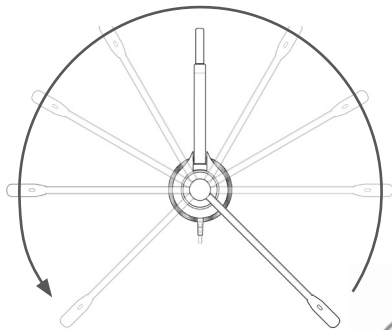
Clothing clip



Step 1: Connecting the headset

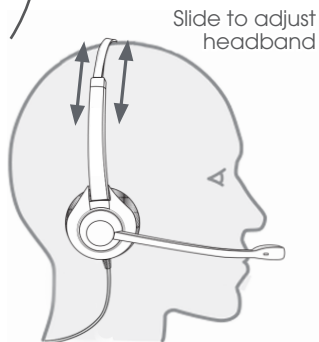


Step 2a: Adjusting the microphone boom



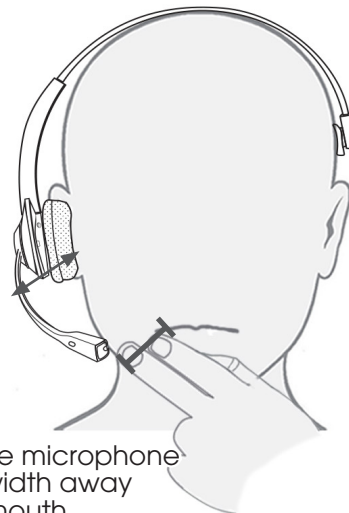
270° adjustable boom

Step 2b: Adjusting the headband



Slide to adjust headband

Step 3: Adjusting the microphone position



Position the microphone 2-fingers width away from the mouth

Step 4: Disconnecting the headset

